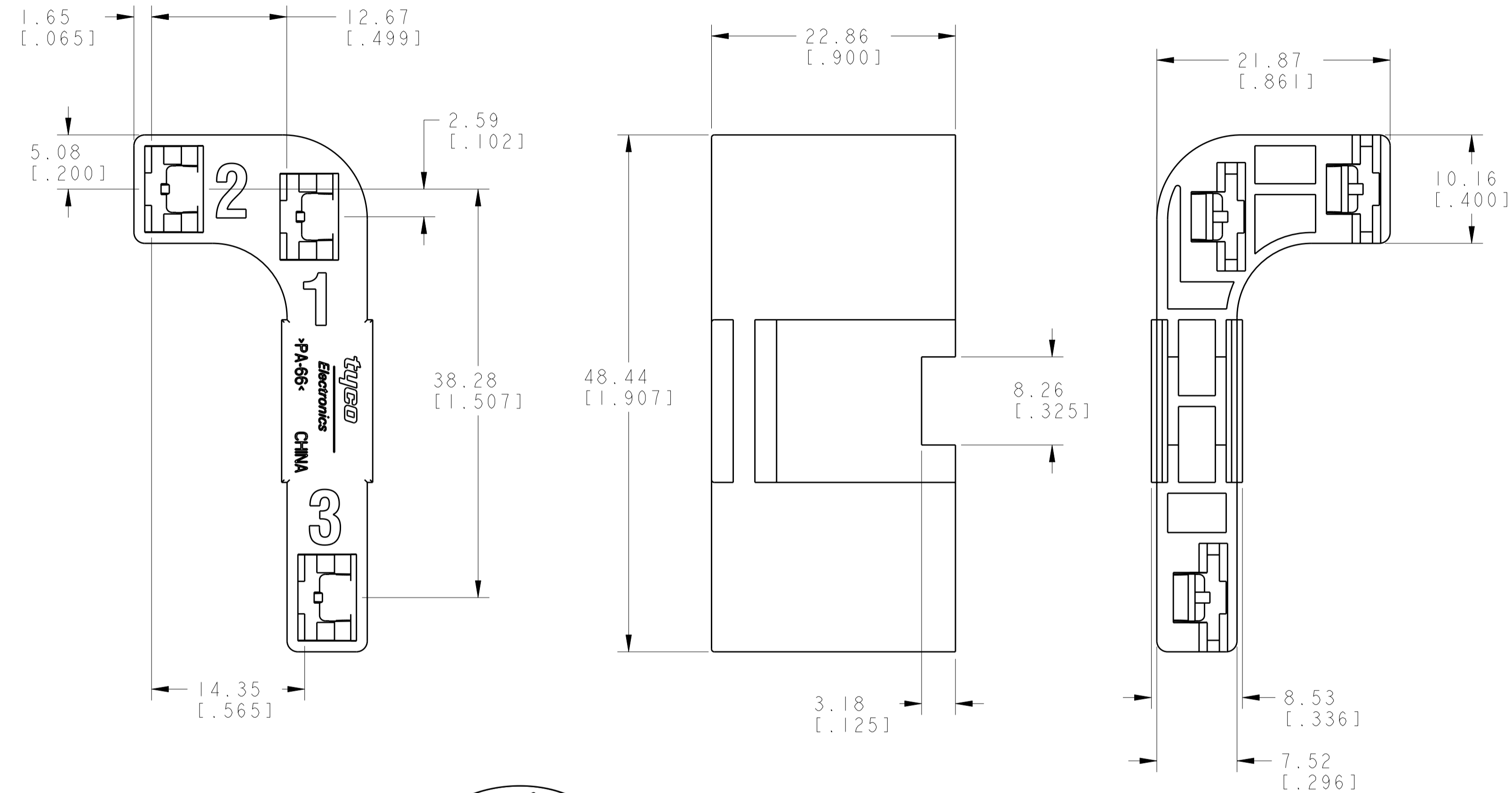
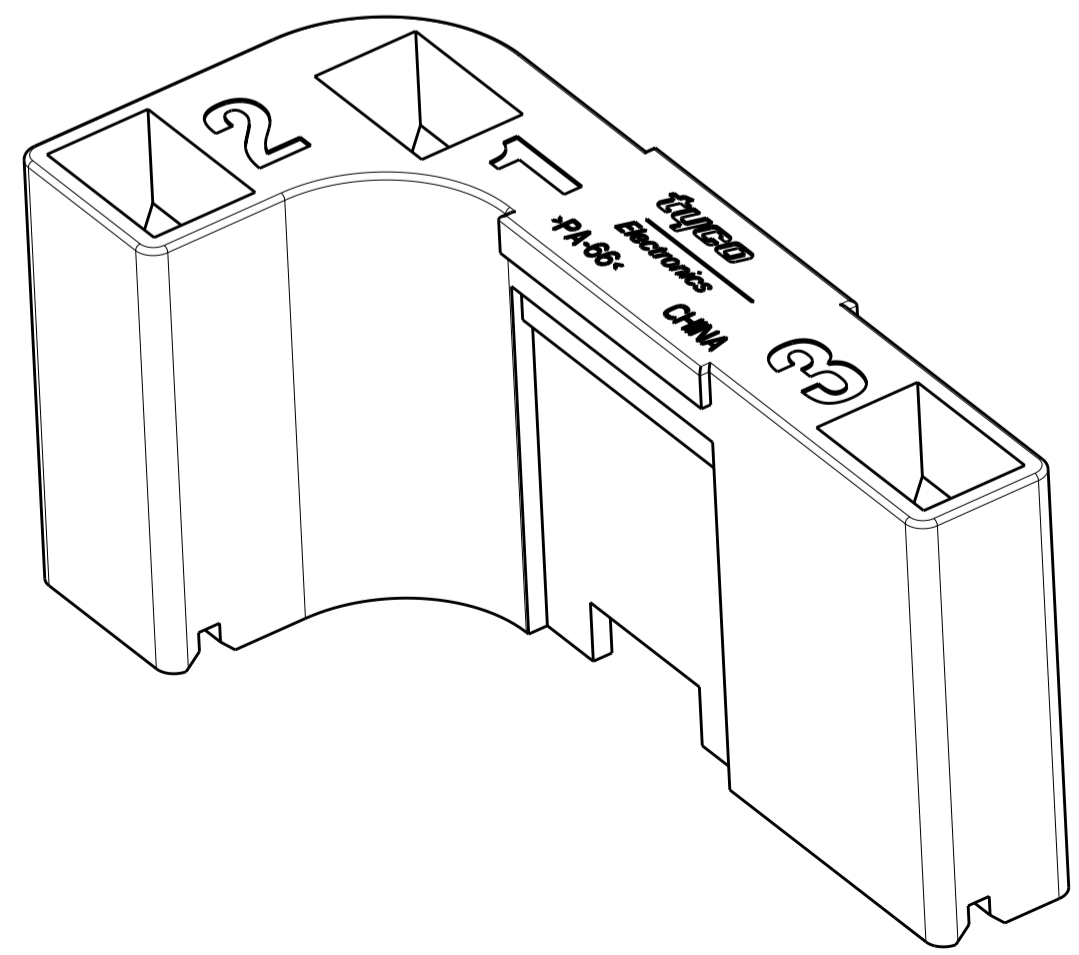


THIS DRAWING IS UNPUBLISHED. RELEASED FOR PUBLICATION 20  
 © COPYRIGHT 20 BY TYCO ELECTRONICS CORPORATION. ALL RIGHTS RESERVED.

LOC		DIST		REVISIONS			
P	LTR	DESCRIPTION	DATE	DWN	APVD		
	BI	REVISED PER ECR-10-003745	26FEB2010	HMR	PD		



1. RECOMMENDED MATING TAB LENGTH IS 10.03 [.395] MIN.
  2. RECOMMENDED CENTERLINE SPACING OF TABS TO BE ± 0.127 [.005].
- ⚠ MATERIAL: NYLON 66, UL94 V-2, ELECTRICAL RTI 125 °C MIN.



NATURAL	1738472-1
COLOR	PART NUMBER

THIS DRAWING IS A CONTROLLED DOCUMENT FOR TYCO ELECTRONICS CORPORATION. IT IS SUBJECT TO CHANGE AND THE CONTROLLING ENGINEERING ORGANIZATION SHOULD BE CONTACTED FOR THE LATEST REVISION.		DWN	M. LAUERMANN	10OCT2003	Tyco Electronics Harrisburg, PA 17105-3608
DIMENSIONS: mm [ INCHES ]		CHK	M. LAUERMANN	17NOV2003	
TOLERANCES UNLESS OTHERWISE SPECIFIED:		APVD	M. LAUERMANN	01DEC2004	
0 PLC ±- 1 PLC ±- 2 PLC ±0.38 [.015] 3 PLC ±- 4 PLC ±- ANGLES ±2° FINISH		PRODUCT SPEC	-	NAME	
MATERIAL	⚠	WEIGHT	-	SIZE	A2
CUSTOMER DRAWING		SCALE	3:1	CAGE CODE	00779
		DRAWING NO	1738472	RESTRICTED TO	-
		SHEET	1	OF	1
		REV	BI		